

# Mr. Christmas<sup>®</sup>

Musical Laser

Light Show<sup>®</sup>

Instruction Manual

## SAFETY RELATED GRAPHICAL SYMBOLS

---



**WARNING**—is intended to alert the user to the presence of important operating and maintenance (servicing) instructions in the literature accompanying the product.



**ELECTRIC SHOCK HAZARD**—Intended to alert the user to the presence of uninsulated dangerous voltage within the product's enclosure that may be of sufficient magnitude to constitute a risk of electric shock to persons.



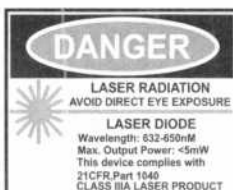
**AC ONLY**



**CAUTION, HOT**



**CAUTION**—is intended to alert the user to never open the enclosure and that no user serviceable parts are located inside.



**LASER DANGER**—is intended to alert the user to the presence of hazardous laser output, power level and wavelength. This label also indicates compliance with the applicable FDA laser safety requirements. The label is located on the underside of the enclosure.

**AVOID EXPOSURE  
LASER RADIATION  
IS EMITTED FROM  
THIS APERTURE**

**APERTURE WARNING**—is intended to alert the user to the location of the hazardous laser output. This label is located adjacent to the lens on the front panel of the product.

MR. CHRISTMAS INC.  
MUSICAL LASER LIGHT SHOW  
MODEL 60521  
Rating : AC 120VAC, 60Hz, 20W MAX.  
Date of Manufacture: 10/2008      Made in China  
Mr. Christmas Inc. 41 Madison Ave New York NY 10010  
For outdoor use. Do not submerge in water.

**RATING LABEL**—Contains manufacturers name and address, date of manufacture and country of origin.

## IMPORTANT SAFETY INSTRUCTIONS

---

### READ AND FOLLOW ALL SAFETY INSTRUCTIONS.

1. Do not use seasonal products outdoors unless marked suitable for indoor and outdoor use. When products are used in outdoor applications, connect the product to a Ground Fault Circuit Interrupting (GFCI) outlet. If one is not provided, contact a qualified electrician for proper installation.
2. This seasonal use product is not intended for permanent installation or use.
3. Do not mount or place near gas or electric heaters, fireplaces, candles or other similar sources of heat.
4. Do not secure the wiring of the product with staples or nails, or place on sharp hooks or nails.
5. Do not let lamps rest on the supply cord or on any wire.
6. Unplug the product when leaving the house, or when retiring for the night, or if left unattended.
7. This is an electric product - not a toy! To avoid risk of fire, burns, personal injury and electric shock it should not be played with or placed where small children can reach it.

8. Do not use this product for other than its intended use.
9. Do not hang ornaments or other objects from cord, wire, or light string.
10. Do not close doors or windows on the product or extension cords as this may damage the wire insulation.
11. Do not cover the product with cloth, paper or any material not part of the product when in use.
12. This product has a polarized plug (one blade is wider than the other) as a feature to reduce the risk of electric shock. This plug will fit in a polarized outlet only one way. If the plug does not fit fully in the outlet, reverse the plug. If it still does not fit, contact a qualified electrician. Do not use with an extension cord unless plug can be fully inserted. Do not alter or replace the plug.
13. This product employs overload protection (fuse). A blown fuse indicates an overload or short-circuit situation. If the fuse blows, unplug the product from the outlet. Also unplug any additional strings or products that may be attached to the product. Replace the fuse as per the user servicing instructions (follow product marking for proper fuse rating) and check the product. If the replacement fuse blows, a short-circuit may be present and the product should be discarded.
14. Read and follow all instructions that are on the product or provided with the product.
15. Refer all servicing to qualified service personnel. Service is required when the apparatus has been damaged in any way, such as power-supply cord or plug is damaged, liquid has been spilled or objects have fallen into the apparatus, the apparatus has been exposed to rain or moisture, does not operate normally, or has been dropped.
16. **WARNING:** Avoid direct eye exposure to the laser output. Never direct the laser output directly at any persons. Never look directly into the front lens while the product is plugged in and/or operating.

## **SAVE THESE INSTRUCTIONS**

## USE AND CARE INSTRUCTIONS

---

1. Before using or reusing, inspect product carefully. Discard any products that have cut, damaged, or frayed wire insulation or cords, cracks in enclosure, loose connections, or exposed copper wire.
2. When storing the product, carefully remove the product from wherever it is placed, including trees, branches, or bushes, to avoid any undue strain or stress on the product conductors, connections, and wires.
3. When not in use, store neatly in a cool, dry location protected from sunlight.
4. If necessary, clean product by wiping with soft dry cloth.

## RATINGS

---

Electrical Rating:  
120VAC, 60Hz, 20Watts Max.

Laser Output Rating:  
Wavelength- 635nm, Output Power < 5mW

## USER SERVICING INSTRUCTIONS

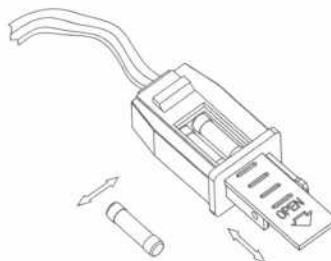
### FUSE REPLACEMENT

Your Musical Laser Light Show® comes with spare fuses to replace burnt-out fuses located in the plug of each receiver. Be sure to replace a burnt-out fuse with a fuse of the same rating: 5A 125V UL listed fuse.

### **CAUTION: BEFORE REPLACING, ALWAYS DISCONNECT THE POWER SUPPLY CORD FROM THE POWER SOURCE**

**RISK OF FIRE.** Do not replace attachment plug. Contains a safety device (fuse) that should not be removed. Discard product if the attachment plug is damaged.

1. Grasp plug and remove from the receptacle or other outlet device. Do not unplug by pulling on cord.



2. Open fuse cover. Slide open fuse access cover on top of attachment plug towards blades
3. Remove fuse carefully. Turn fuse holder over to remove fuse.

**Risk of fire. Replace fuse only with 5 Amp, 125 Volt fuse (provided with product).**

4. Close fuse cover. Slide closed the fuse access cover on top of attachment plug.

**Laser assembly is not replaceable or user serviceable.**

## DESCRIPTION

Thank you for purchasing the Musical Laser Light Show. This product features innovative new technology for seasonal decorating: an advanced laser cartoon plays to the music of 15 Christmas Carols and 3 other festive holiday songs for New Year's, Halloween and Birthday celebrations. The unit is designed for outdoor use. Your Musical Laser Light Show will impress the whole neighborhood!

## SETTING UP THE UNIT

---

1. Gently remove the unit from the packaging
2. Secure the unit on the included tripod according to the following diagram:

### Secure the Unit on the Tripod:

1. Slide in the unit on the Tripod, see Fig. I.
2. Tighten the Lock Screw ①
3. Adjust the Angle and height of the unit to desired projecting position, see Fig. II.
4. For outdoor installation make sure to nail down the spikes (3pcs) to the ground to prevent unit from falling or tipping over.

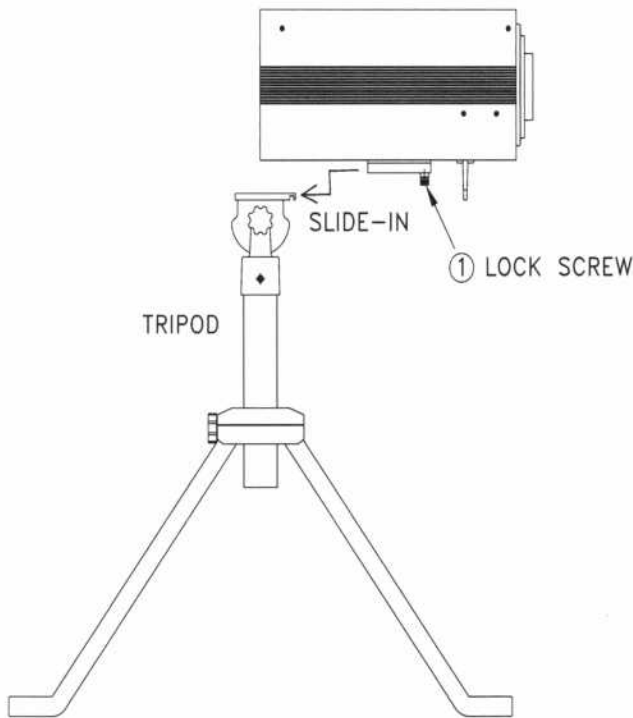


FIG. I.

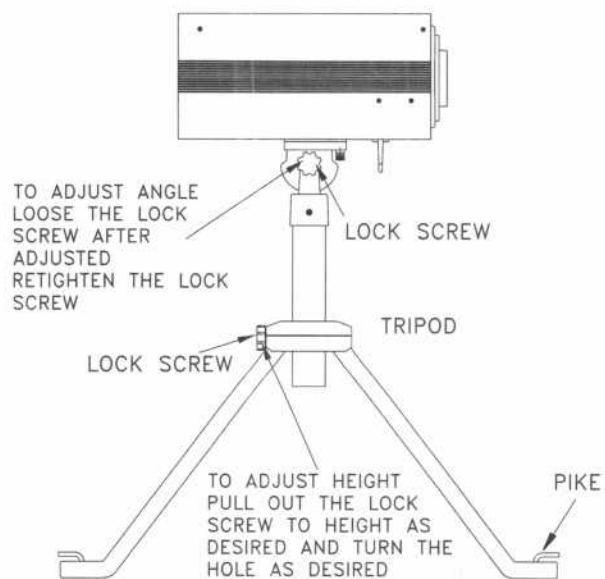
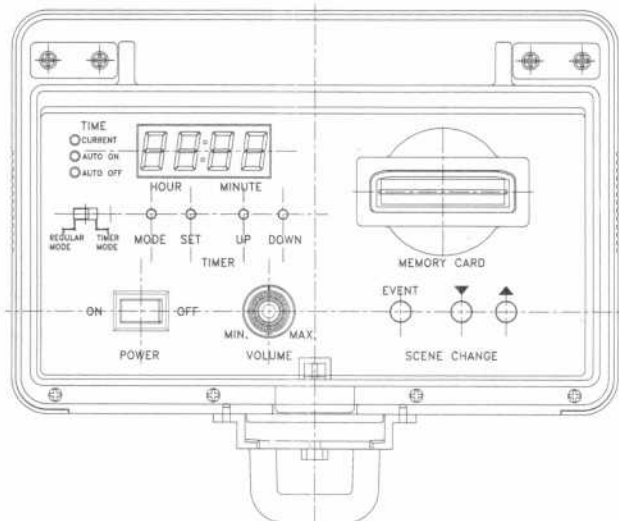


FIG. II.

## OPERATION



1. Connect the power cord to an electrical outlet and turn the POWER switch to the ON position
2. The laser show should begin automatically starting with the first Christmas carol and cartoon.

3. Adjust the positioning of the unit on the stand so that the show is aimed at your desired projection surface.
4. Use the VOLUME dial to adjust the volume of the music.
5. Please note: The MEMORY CARD slot is intended for supplemental cartoons. Please check back with Mr. Christmas ([www.mrchristmas.com](http://www.mrchristmas.com)) or your local retailer to stay up to date on any additional cartoons available for next season.
6. **Caution** - use of controls or adjustments or performance of procedures other than those specified herein may result in hazardous radiation exposure.

### **Regular Mode**

1. When the POWER switch is in the ON position, the unit will begin automatically and play continuously
2. Use the VOLUME dial to adjust the volume of the music.
3. Use the SCENE CHANGE buttons to move among the Christmas Carols.
4. Press the EVENT button to switch from Christmas to a different holiday: New Year's, Halloween, and Birthday. Timer Mode

### **Timer Mode**

1. Turn the POWER button to the ON position.
2. Switch the unit to TIMER MODE.
3. Use the MODE button to switch among CURRENT/AUTO ON/AUTO OFF for the clock. When the unit is in each mode, the light next to the mode will be lit.
4. Use the MODE button to switch the unit to CURRENT time.
5. Use the UP and DOWN buttons to adjust the time. The clock is a 24 hour clock. For example, if it is 10:15 AM, adjust the clock to say 10:15. If it is 3:45 PM, adjust the clock to read 15:45 (12:00 + 3:45).
6. Once the current time appears, press SET.
7. Use the MODE button to move to AUTO ON. Use the UP and DOWN buttons to select the time you want the laser show to start playing.
8. Once you have selected the time, press SET.
9. Use the MODE button to move to AUTO OFF. Use the UP and DOWN buttons to select the time you would like the laser show to turn off.
10. Once you have selected the time, press SET.
11. The laser light show will begin at the selected time.
12. Leave the unit ON and enjoy.

## TROUBLESHOOTING

---

Your Musical Laser Light Show® has been designed to give many seasons of trouble free operation. In the event that a problem does occur, please refer to the following chart for suggested solutions.

Problem	Likely Cause	Solution
No laser show and no music	No power	Make sure the main power cord is plugged into a working outlet.
No laser, but music plays	Projection surface is too dark or there is too much daylight	Effect is best achieved at night on a light projection surface
	Laser is aimed incorrectly	Re-adjust the unit so that it faces the projection surface
No music is heard, but laser is playing	Volume is too low	Adjust the volume dial on the control panel

For all other troubleshooting questions, please contact your local retailer, electronics professional, or call the Mr. Christmas warranty service at 1-800-4MR- XMAS (USA only).

## WARRANTY (USA Only)

---

Mr. Christmas warrants the original customer/purchaser of the Musical Laser Light Show that it will be free from defects in material and workmanship for a period of ninety (90) days from date-of-purchase. Any liability of Mr. Christmas under this warranty shall be limited to the repair or replacement of defective parts without charge if the item is returned with shipping charges prepaid together with proof of date-of-purchase, name and mailing address of the original consumers/purchasers along with a description of the defect. Please call warranty service at 1 -800-4MR- XMAS for a claim number and instructions on how and where to return the item. This warranty does not cover defects caused by damages in transit, abuse, accident, negligence or repairs made by others. This warranty gives the consumer/purchaser specific legal rights. This consumer/purchaser may also have other rights which vary from state to state.

